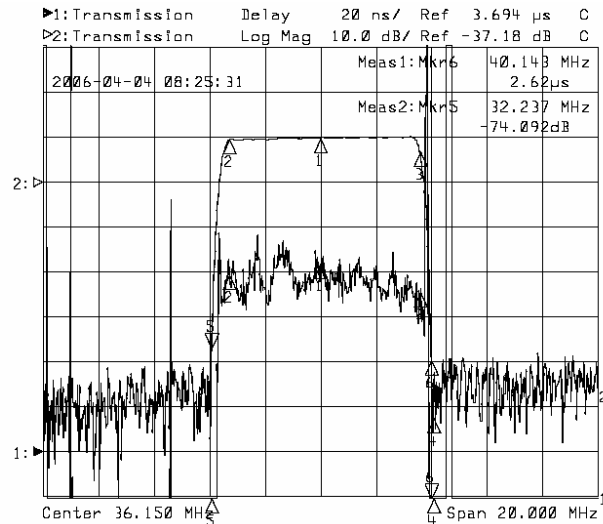
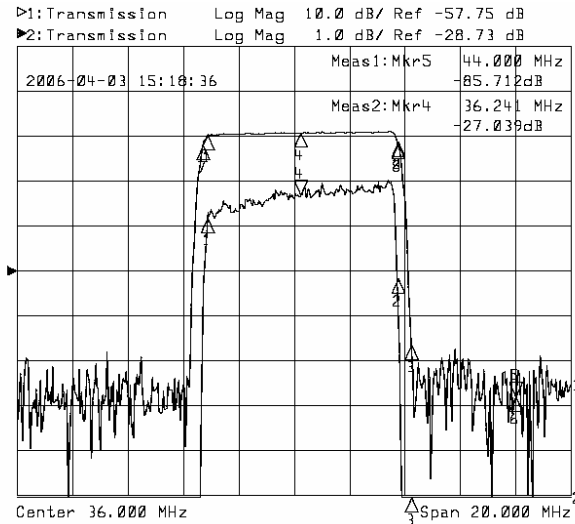


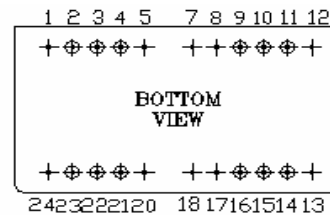
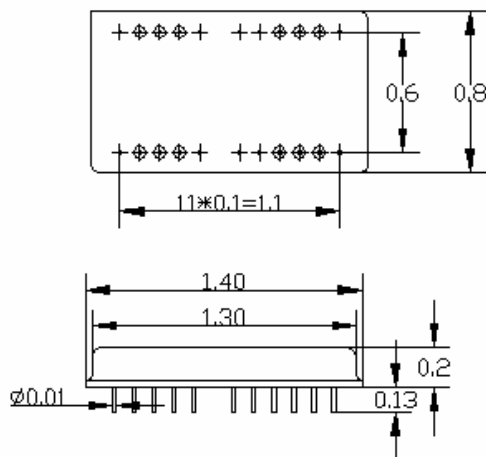
1. Specifications

Parameter	Unit	Minimum	Typical	Maximum
Center Frequency	MHz	36.15	36.25	36.35
Insertion Loss at F ₀	dB		27.5	28.0
@39.65MHz	dB	-2.5	-1.6	
@32.80MHz	dB	-1.0	-0.8	
@40.15MHz	dB	-40	-48	
@31.90MHz	dB	-50	-52	
Passband Variation	dB		0.6	0.7
Group Delay Variation	nsec		40	50
Absolute Delay	usec		3.78	
Ultimate Rejection	dB	50	52	
Substrate Material	-		YZ-LiNbO ₃	
Ambient Temperature	°C	-40	50	85

2. Typical Performance



3. Package



2 INPUT-GROUND
 3 INPUT
 14 OUTPUT-GROUND
 15 OUTPUT
 4,9,10,11,16,21,22,23 NOT CONNECTED
 1,5,7,8,12,13,17,18,20,24 CHIP
 CARRIER-GROUND

NO Matching Required
 Source/load Impedance=50ohm
 Package Style XR

4. Marking

WB0534