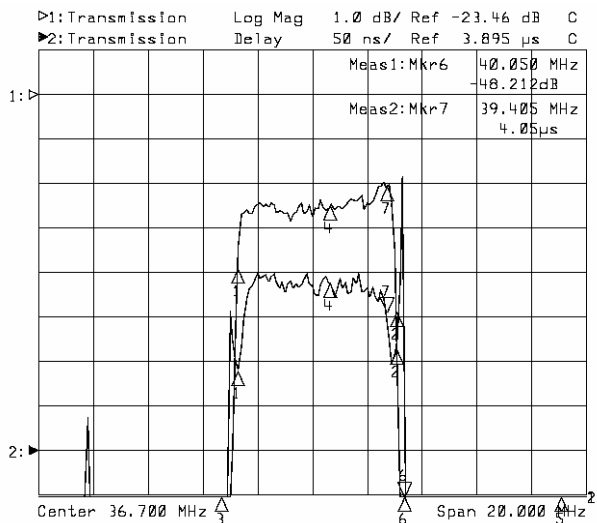
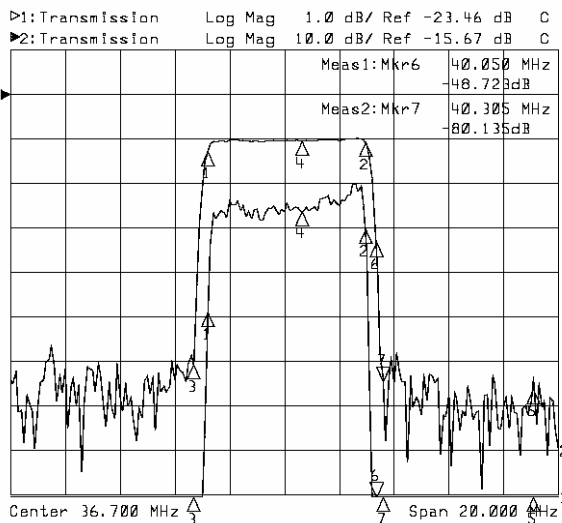


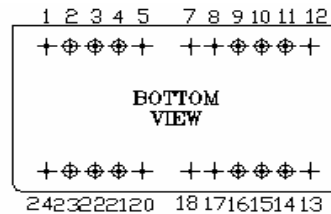
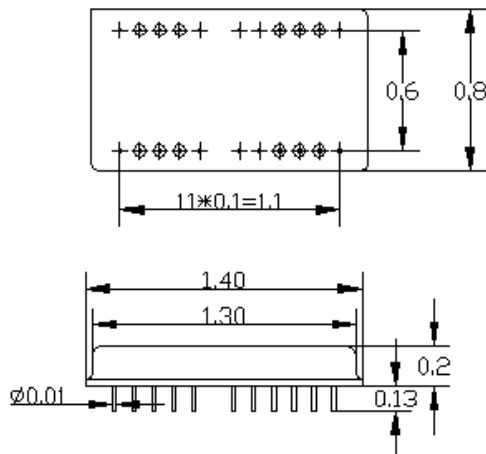
1. Specifications

Parameter	Unit	Minimum	Typical	Maximum
Center Frequency	MHz	36.25	36.75	37.25
Insertion Loss at F ₀	dB		26.00	27.00
@39.65MHz	dB	0.95	1.00	
@33.90MHz	dB	2.95	3.00	
@40.05MHz	dB		23.00	23.50
@33.40MHz	dB		50.00	50.50
Passband Variation	dB		0.70	1.00
Group Delay Variation	nsec		45	50
Absolute Delay	usec		4.05	4.07
Ultimate Rejection	dB	48	50	
Substrate Material	-		YZ-LiNbO3	
Ambient Temperature	°C	-40	25	80

2. Typical Performance



3. Package



2 INPUT-GROUND
 3 INPUT
 14 OUTPUT-GROUND
 15 OUTPUT
 4,9,10,11,16,21,22,23 NOT CONNECTED
 1,5,7,8,12,13,17,18,20,24 CHIP
 CARRIER-GROUND

NO Matching Required
 Source/load Impedance=50ohm
 Package Style XR

4. Marking

WB0537