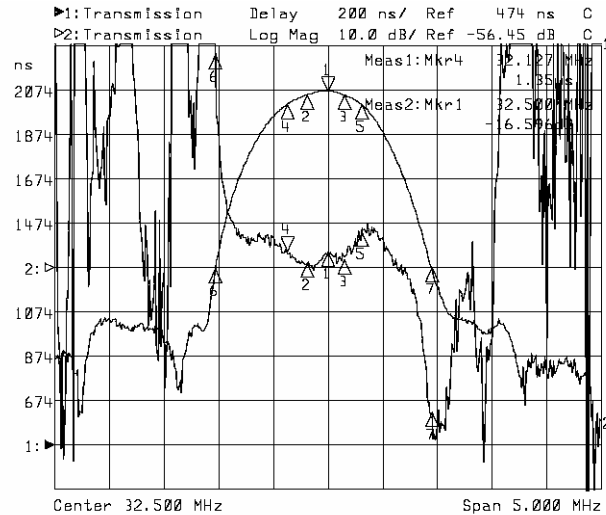
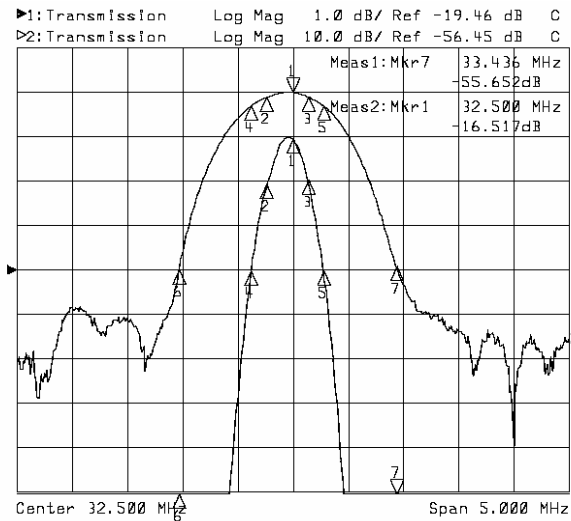


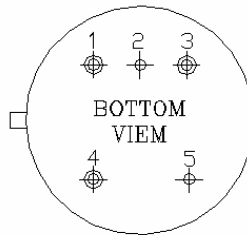
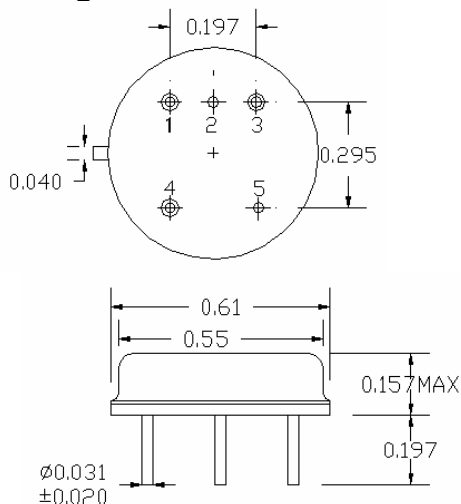
1. Specifications

Parameter	Unit	Minimum	Typical	Maximum
Center Frequency	MHz	32.45	32.50	32.55
Insertion Loss at F ₀	dB		17.50	18.20
1 dB Bandwidth	MHz	0.35	0.36	
3 dB Bandwidth	MHz	0.60	0.65	
40dB Bandwidth	MHz		1.95	1.97
Passband Variation	dB		0.20	0.30
Group Delay Variation	nsec		100	200
Absolute Delay	usec		2.80	2.82
Ultimate Rejection	dB	42	50	
Substrate Material	-		112-LiTaO ₃	
Ambient Temperature	°C	-40	25	80

2. Typical Performance



3. Package



SFA02
 IN: 4
 OUT: 3
 GND: 1,2,5

4. Marking

WLBD32.5