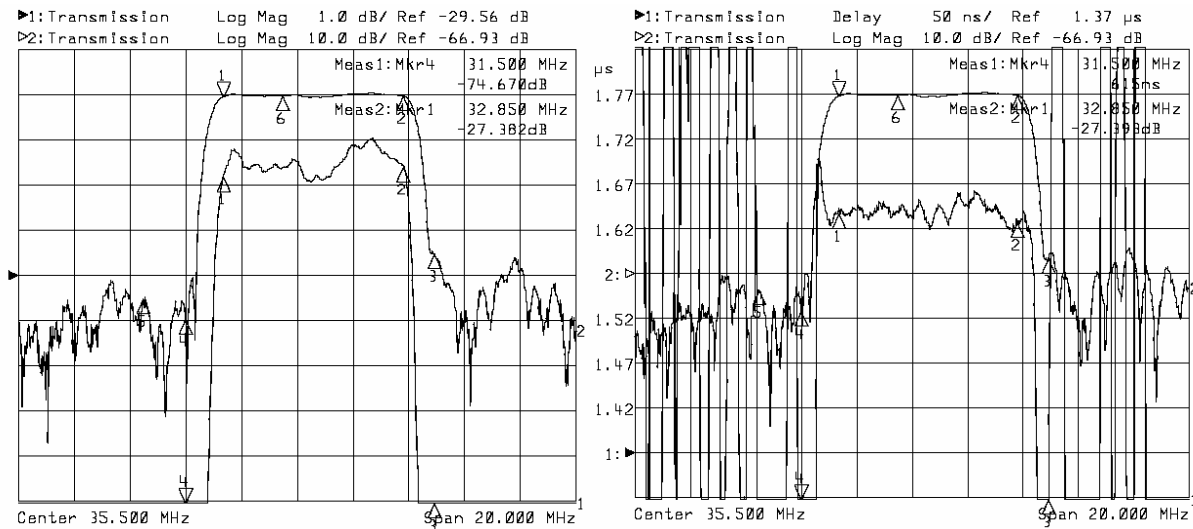


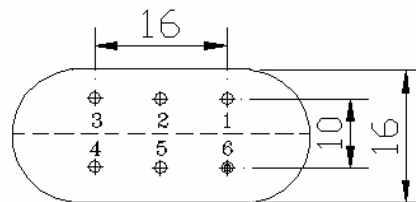
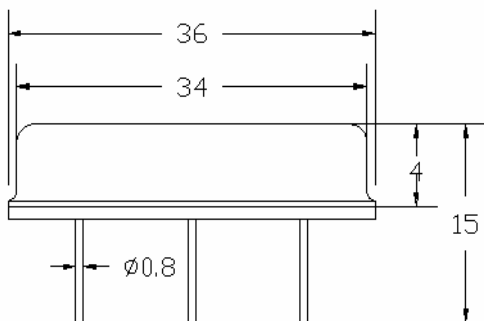
## 1. Specifications

Parameter	Unit	Minimum	Typical	Maximum
Center Frequency	MHz	36.00	36.10	36.20
Insertion Loss at F <sub>0</sub>	dB		27.50	28.00
@32.85MHz	dB	-0.80	-1.00	
@39.35MHz	dB	-0.80	-1.00	
@40.40MHz	dB	-35.00	-38.00	
@32.00MHz	dB	-20.00	-35.00	
Passband Variation	dB		1.00	1.10
Group Delay Variation	nsec		50	60
Absolute Delay	usec		1.60	1.62
Ultimate Rejection	dB	35	38	
Substrate Material	-		128LiNbO3	
Ambient Temperature	°C	-40	25	80

## 2. Typical Performance



## 3. Package



BOTTOM VIEW  
 IN:1 OUT:4  
 GND: 2,3,5,6

## 4. Marking

WLBN38.9-6E