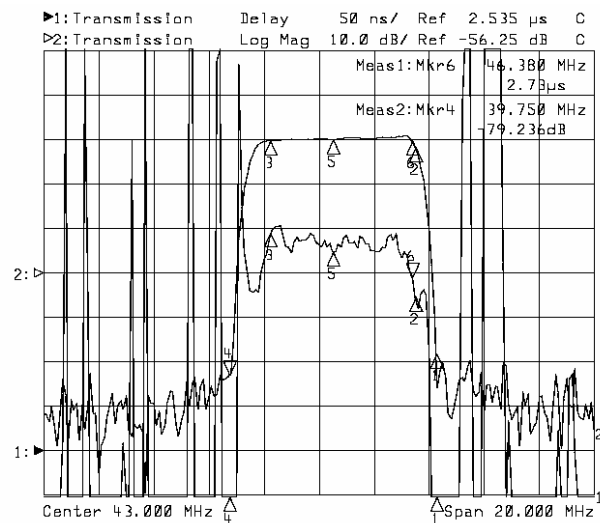
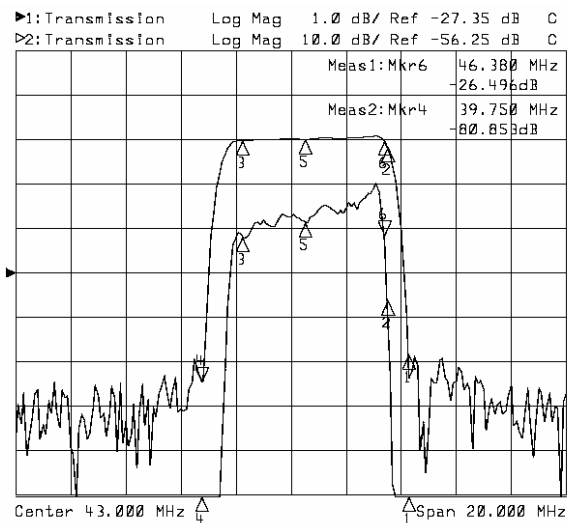


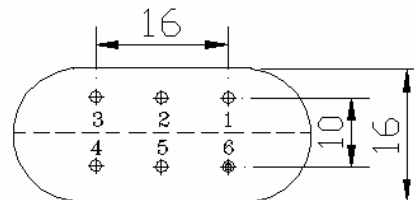
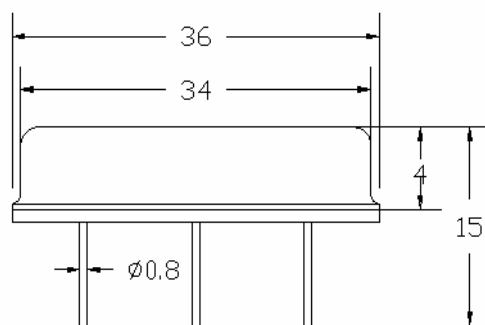
1. Specifications

| Parameter | Unit | Minimum | Typical | Maximum |
|----------------------------------|------|---------|-----------------------|---------|
| Center Frequency | MHz | 39.90 | 44.00 | 44.10 |
| Insertion Loss at F ₀ | dB | | 26.50 | 27.00 |
| @46.50MHz | dB | | -2.50 | -3.50 |
| @41.25MHz | dB | | -0.50 | -1.50 |
| @47.25MHz | dB | | 50.00 | 51.20 |
| Passband Variation | dB | | 1.0 | 1.50 |
| Group Delay Variation | nsec | | 50 | 80 |
| Absolute Delay | usec | | 2.80 | 2.85 |
| Ultimate Rejection | dB | 48 | 50 | |
| Substrate Material | - | | YZ-LiNbO ₃ | |
| Ambient Temperature | °C | -40 | 25 | 80 |

2. Typical Performance



3. Package



BOTTOM VIEW
 IN:1 OUT:4
 GND: 2,3,5,6

4. Marking

WLBN45.75-5E