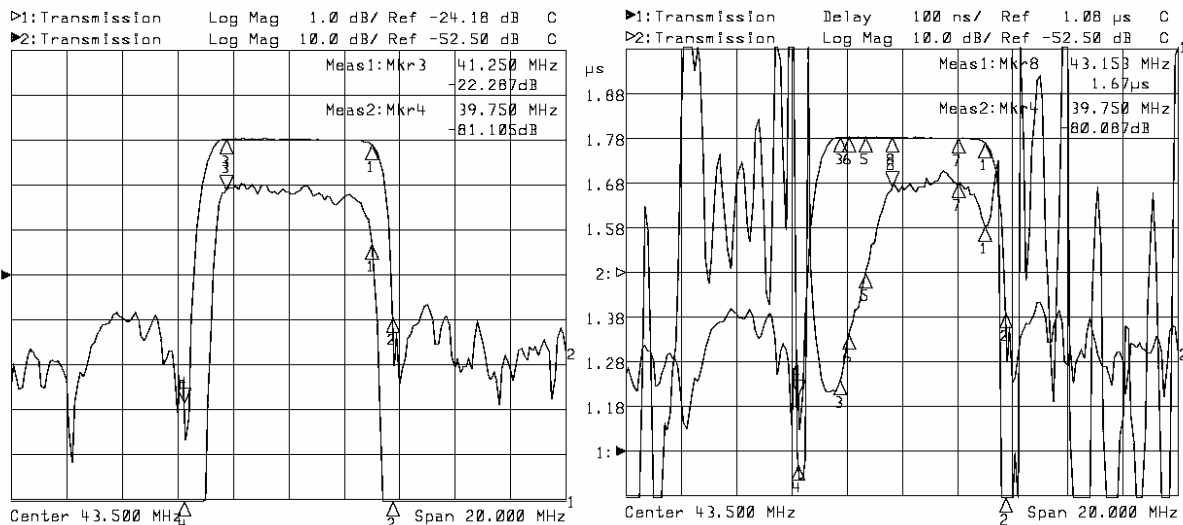


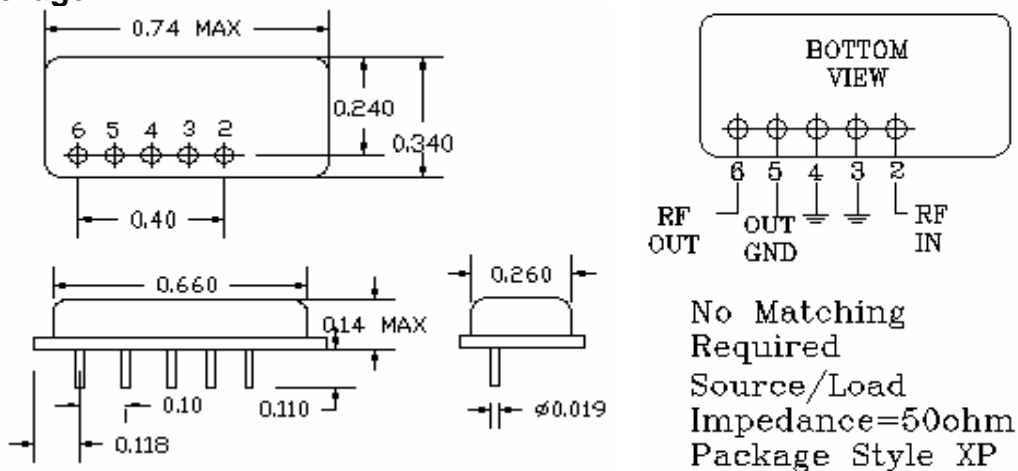
1. Specifications

Parameter	Unit	Minimum	Typical	Maximum
Center Frequency	MHz	43.00	43.50	44.00
Insertion Loss @45.55MHz	dB		22.80	23.00
41.25MHz	dB		-0.50	0.00
46.50MHz	dB		-1.50	-2.00
47.25MHz	dB	-38.00	-40.00	
39.75MHz	dB	-45.00	-48.00	
Passband Variation(41.5MHz~46.0MHz)	dB		0.40	0.60
Group Delay@41.57MHz	nsec	-320	-340	-360
Group Delay@42.17MHz	nsec	-180	-200	-220
TTS	dB	48	50	
Ultimate Rejection	dB	37	39	
49~54MHz Rejection		40	45	
Substrate Material	-		128LiNbO3	
Ambient Temperature	°C	-40	25	80

2. Typical Performance



3. Package



4. Marking

SAW Filters
P/N: WMVF-19

 **Wavetronics Technologies Ltd.**
Precision Solutions for Wave & Timing

WMVF-19