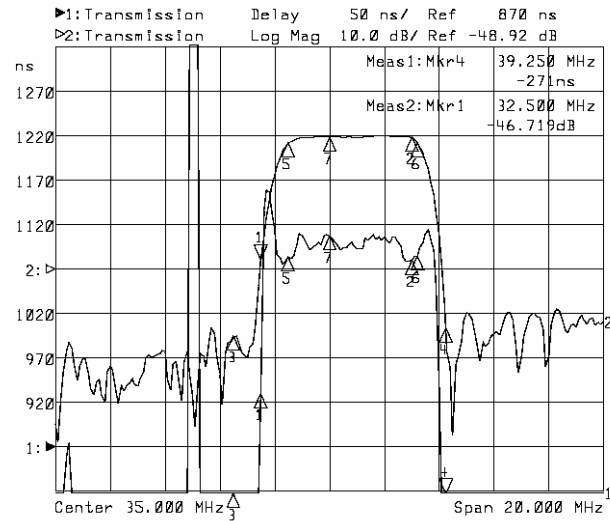
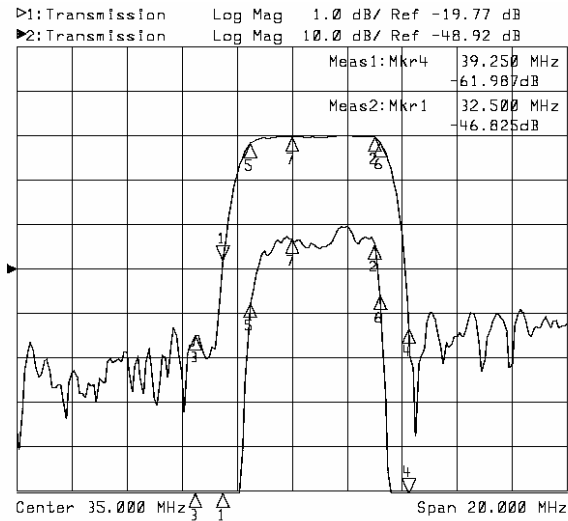


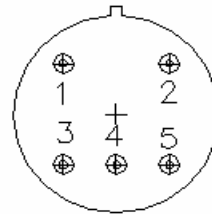
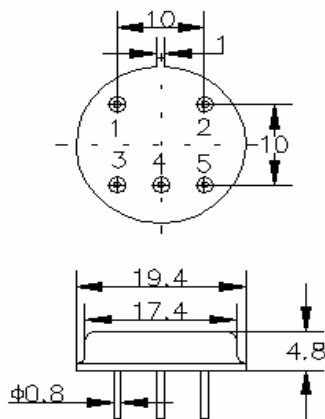
1. Specifications

Parameter	Unit	Minimum	Typical	Maximum
Center Frequency	MHz	35.35	35.85	36.35
Insertion Loss at F ₀	dB		20.00	21.00
@32.50MHz	dB	-25.00	-30.00	
@38.10MHz	dB		-1.00	-1.50
@39.25MHz	dB	-35.00	-40.00	
@33.50MHz	dB		-2.00	-2.50
Passband Variation	dB		1.00	1.20
Group Delay Variation	nsec		50	60
Absolute Delay	usec		2.80	2.85
Ultimate Rejection	dB	38	40	
Substrate Material	-		128LiNbO3	
Ambient Temperature	°C	-40	25	80

2. Typical Performance



3. Package



BOTTOM VIEW
IN:5 OUT:3
GND: 1 2 4

4. Marking

WN3845