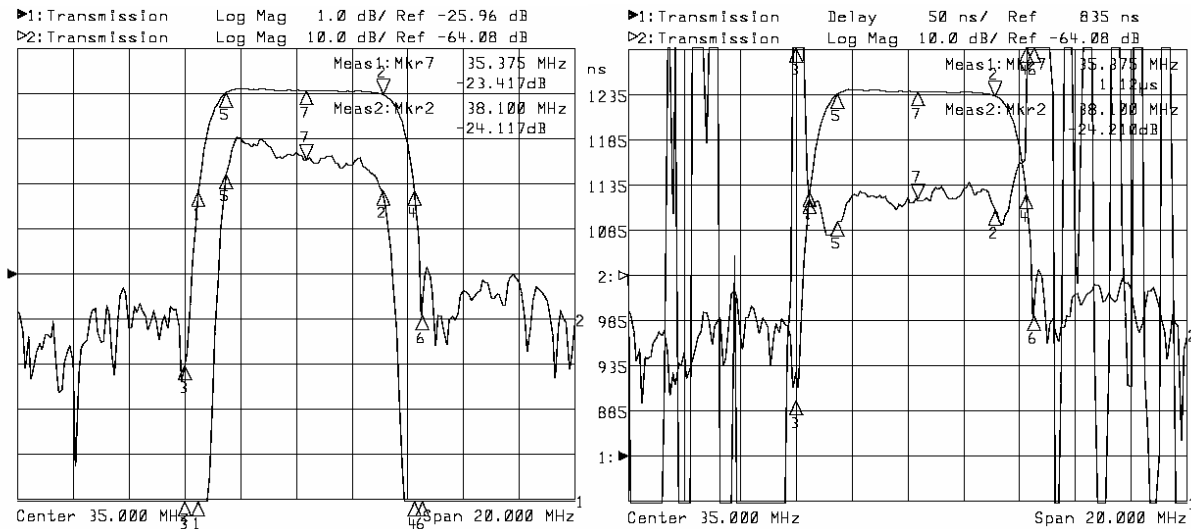


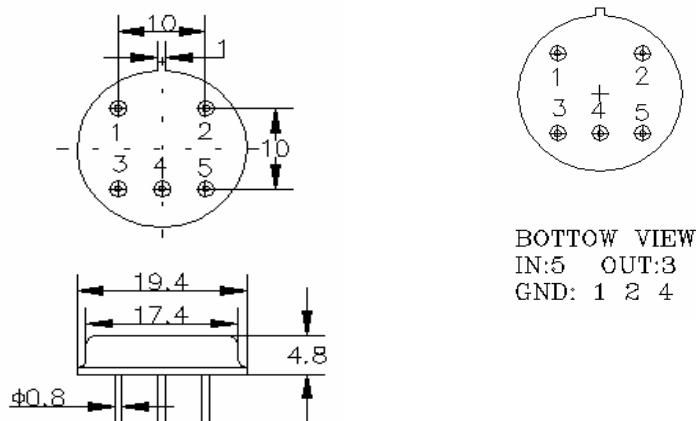
1. Specifications

Parameter	Unit	Minimum	Typical	Maximum
Center Frequency	MHz	35.275	35.375	35.475
Insertion Loss at F ₀	dB		24.52	25.50
@31.50MHz	dB	-32.00	-35.00	
@38.10MHz	dB		-1.32	-1.52
@39.25MHz	dB	-20.02	-22.05	
@32.50MHz	dB		-1.24	-1.55
Passband Variation	dB		1.00	1.20
Group Delay Variation	nsec		50	60
Absolute Delay	usec		2.80	2.85
Ultimate Rejection	dB	38	40	
Substrate Material	-		128LiNbO3	
Ambient Temperature	°C	-40	25	80

2. Typical Performance



3. Package



4. Marking

WN3855