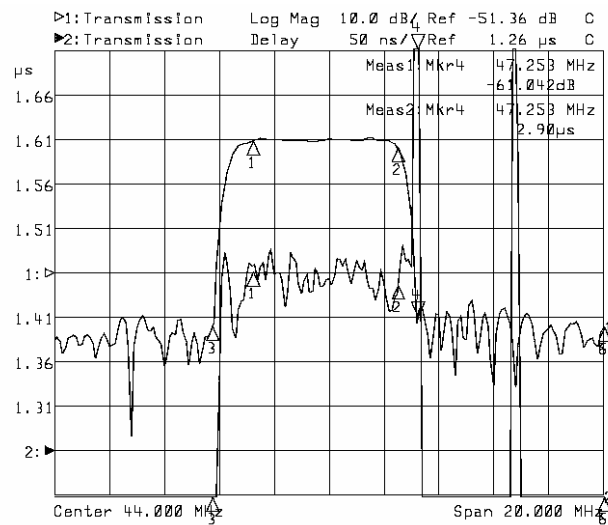
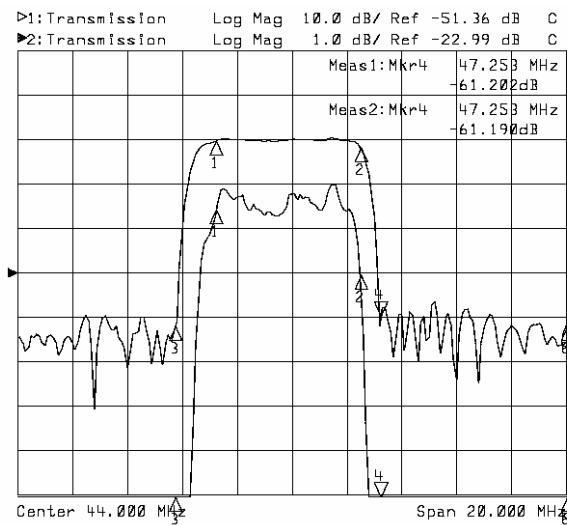


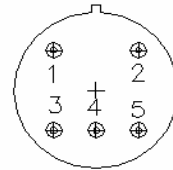
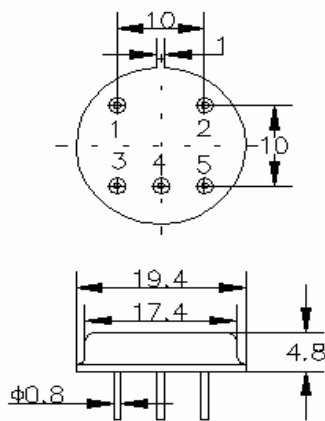
### 1. Specifications

Parameter	Unit	Minimum	Typical	Maximum
Center Frequency	MHz	43.90	44.00	44.10
Insertion Loss at 45.55MHz	dB		23.00	24.50
41.25MHz	dB	-0.48	-0.50	
46.5MHz	dB		-2.00	-2.80
47.25MHz	dB		-35.00	-38.00
Passband Variation	dB		0.60	0.80
Group Delay Variation	nsec		60	80
Absolute Delay	usec		1.45	1.52
Ultimate Rejection	dB	35	38	
Substrate Material	-		128-LiNbO3	
Ambient Temperature	°C	-40	25	80

### 2. Typical Performance



### 3. Package



BOTTOM VIEW  
IN:5 OUT:3  
GND: 1 2 4

### 4. Marking

WN45.75-4.5