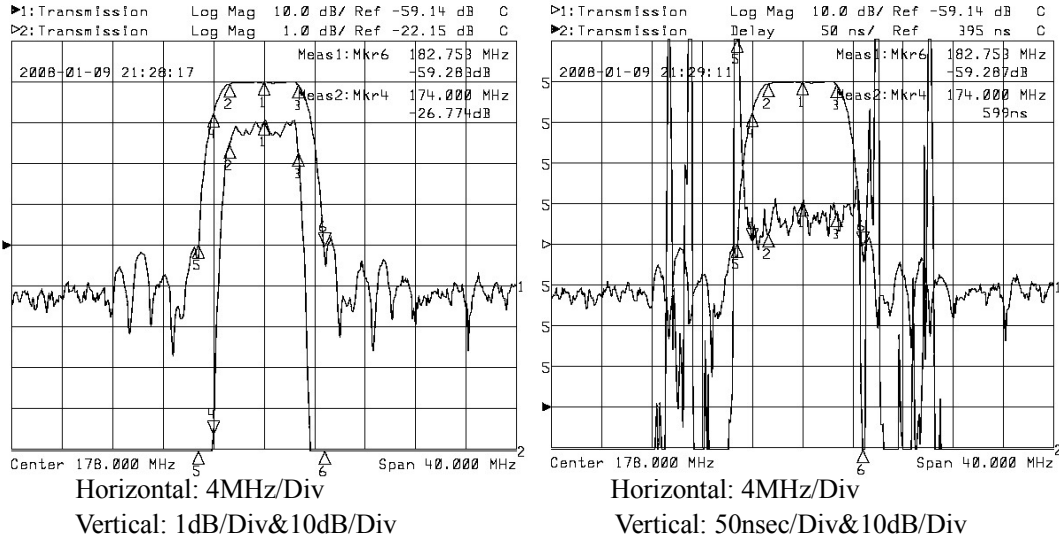


# CATV VSB Filter For TV Modulator (PAL B/G)

## Part Number P5

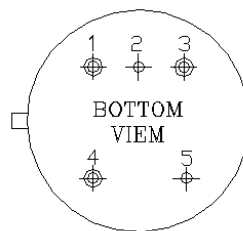
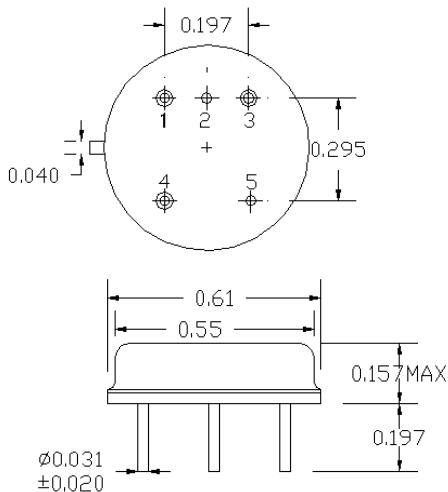
### Typical Performance



### Specifications

Parameter	Unit	Minimum	Typical	Maximum
Center Frequency	MHz	177.50	178.00	178.50
Insertion Loss	dB		19.00	20.50
175.25MHz	dB		-0.50	-1.00
180.75MHz	dB		-0.50	-1.50
173.75MHz	dB	-10.00	-13.00	
182.25MHz		-12.00	-15.00	
Passband Variation	dB		0.50	1.00
Group Delay Variation	nsec		50	100
Absolute Delay	usec		0.65	
Ultimate Rejection	dB	40	42	
Substrate Material	-		LiTaO3	
Ambient Temperature	°C		25	

**Package SFA02**



SFA02  
 IN: 4  
 OUT: 3  
 GND: 1,2,5