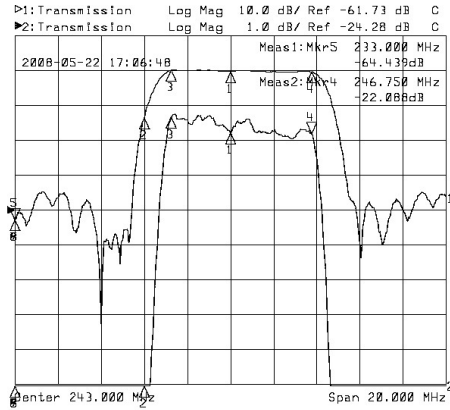


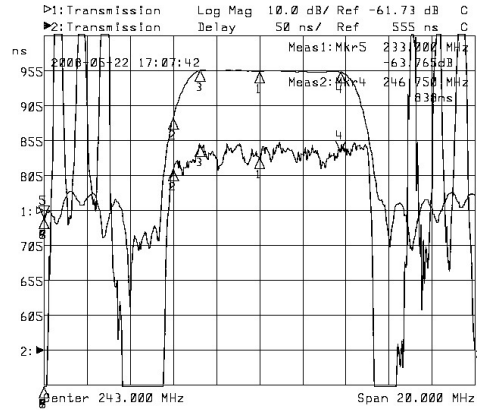
# CATV VSB Filter for TV Modulator (PAL D/K)

## Part Number ZCH10

### Typical Performance



Horizontal: 2MHz/Div  
Vertical: 1dB/Div&10dB/Div

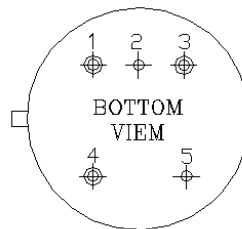
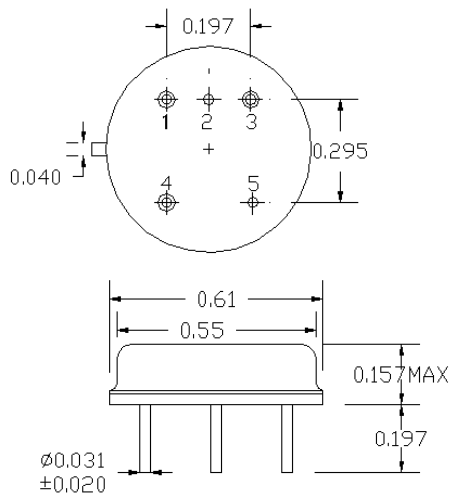


Horizontal: 2MHz/Div  
Vertical: 50nsec/Div&10dB/Div

### Specifications

| Parameter             | Unit | Minimum | Typical    | Maximum |
|-----------------------|------|---------|------------|---------|
| Center Frequency      | MHz  | 242.50  | 243.00     | 243.50  |
| Insertion Loss        | dB   |         | 22.00      | 24.00   |
| 240.25MHz             | dB   |         | -0.80      | -1.00   |
| 246.75MHz             | dB   |         | -0.80      | -1.00   |
| 239.00MHz             | dB   | -12.00  | -15.00     |         |
| Passband Variation    | dB   |         | 0.80       | 1.10    |
| Group Delay Variation | nsec |         | 40         | 60      |
| Absolute Delay        | usec |         | 0.83       |         |
| Ultimate Rejection    | dB   | 35      | 38         |         |
| Substrate Material    | -    |         | 128-LiNbO3 |         |
| Ambient Temperature   | °C   | -40     | 25         | 80      |

### Package SFA02



SFA02  
 IN: 4  
 OUT: 3  
 GND: 1,2,5