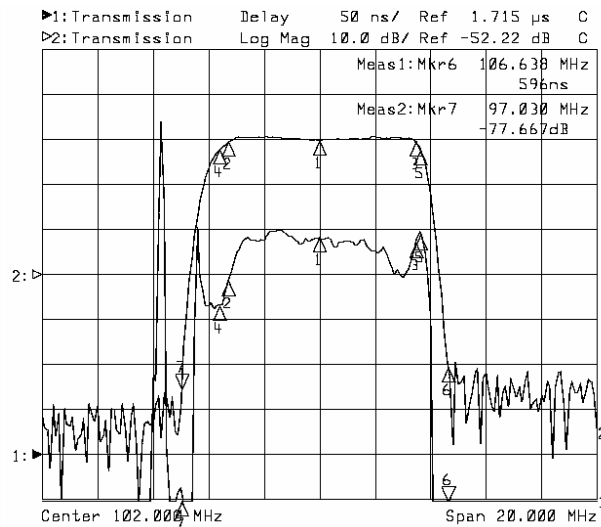
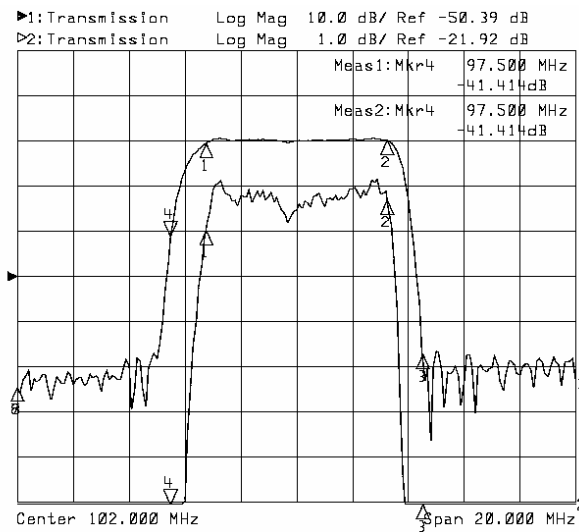


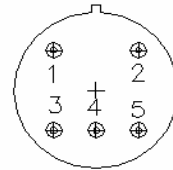
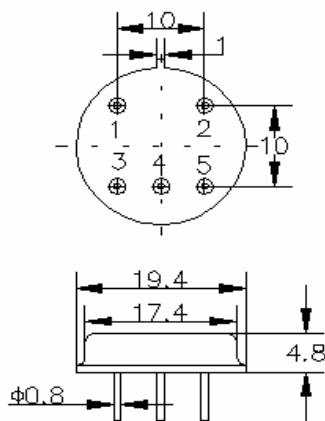
1. Specifications

Parameter	Unit	Minimum	Typical	Maximum
Center Frequency	MHz	101.80	102.00	102.20
Insertion Loss at F ₀	dB		20.50	21.00
@98.75MHz	dB		-1.00	-1.30
@105.25MHz	dB		-0.50	-1.00
@97.5MHz	dB		-20	-23.30
@106.5MHz	dB		-40.00	-50.00
Passband Variation	dB		0.90	1.00
Group Delay Variation	nsec		50	100
Absolute Delay	usec		1.50	1.53
Ultimate Rejection	dB	48	50	
Substrate Material	-		YZ-LiNbO3	
Ambient Temperature	°C	-40	25	80

2. Typical Performance



3. Package



BOTTOM VIEW
IN:5 OUT:3
GND: 1 2 4

4. Marking

S102M075