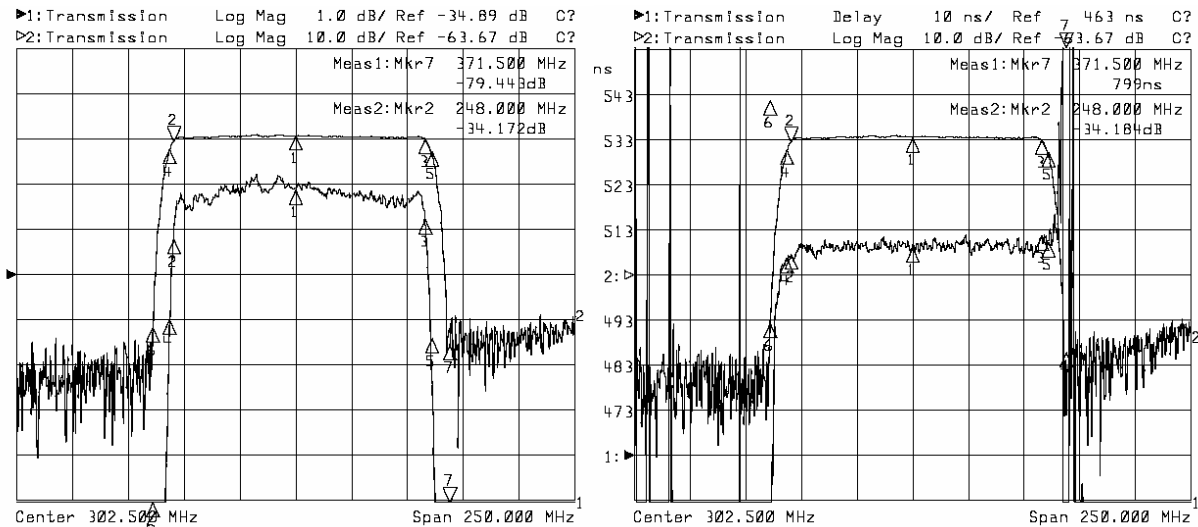


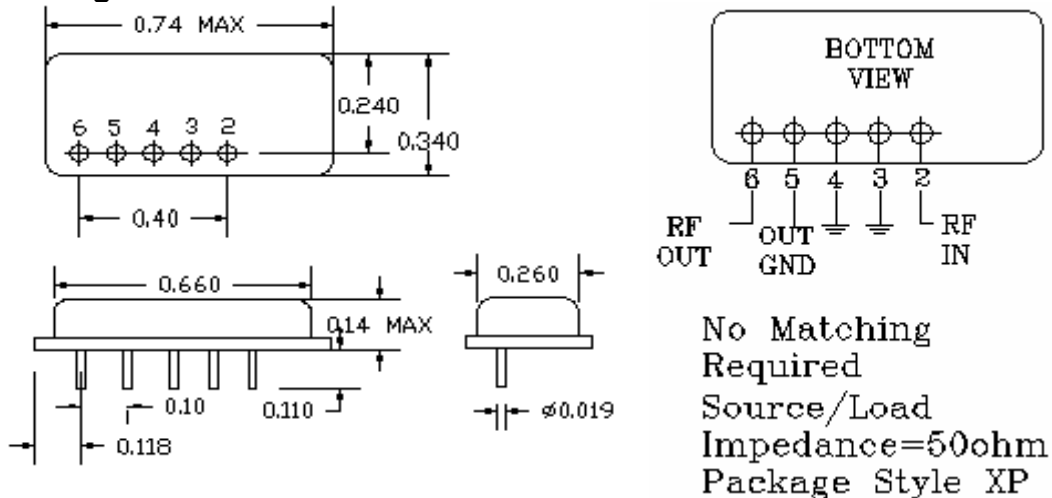
1. Specifications

Parameter	Unit	Minimum	Typical	Maximum
Center Frequency	MHz	301.50	302.50	303.50
Insertion Loss at F_0	dB		33.00	33.52
1 dB Bandwidth	MHz	112.20	112.40	
3 dB Bandwidth	MHz	116.30	116.80	
40dB Bandwidth	MHz		132.80	132.98
Passband Variation	dB		0.50	0.70
Group Delay Variation	nsec		5	10
Absolute Delay	usec		0.50	0.52
Ultimate Rejection	dB	40	45	
Substrate Material	-		128LiNbO3	
Ambient Temperature	°C	-40	25	80

2. Typical Performance



3. Package



4. Marking

S302M115