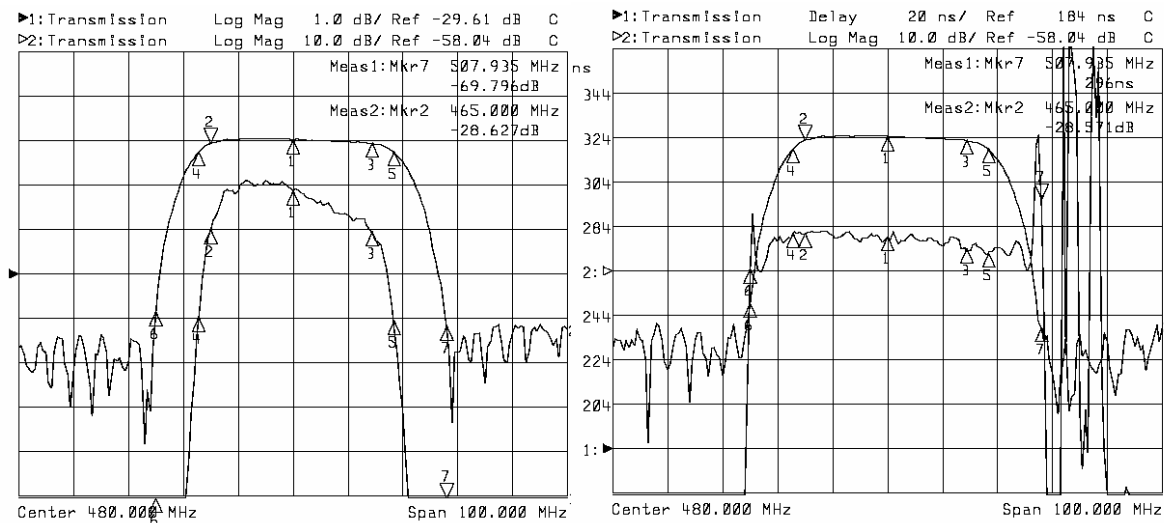


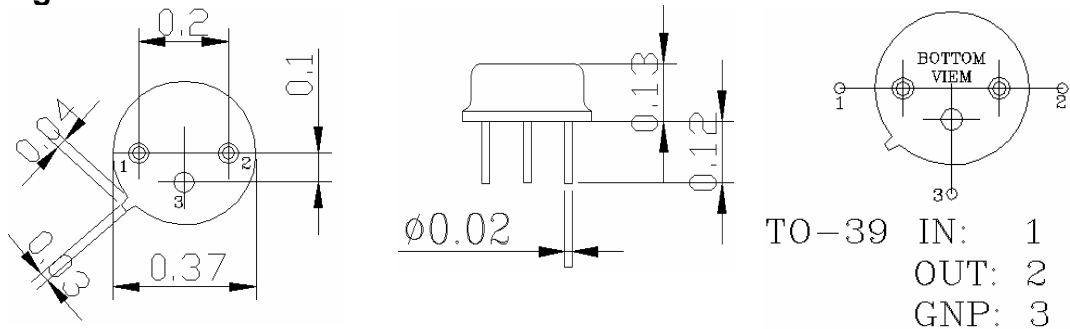
1. Specifications

Parameter	Unit	Minimum	Typical	Maximum
Center Frequency	MHz	479.50	480.00	480.50
Insertion Loss at F ₀	dB		28.00	28.50
1 dB Bandwidth	MHz	29.02	29.31	
3 dB Bandwidth	MHz	35.00	35.50	
40dB Bandwidth	MHz		53.00	53.04
Passband Variation	dB		1.00	1.20
Group Delay Variation	nsec		18	20
Absolute Delay	usec		0.20	0.21
Ultimate Rejection	dB	43	45	
Substrate Material	-		128LiNbO3	
Ambient Temperature	°C	-40	25	80

2. Typical Performance



3. Package



4. Marking

S480M360