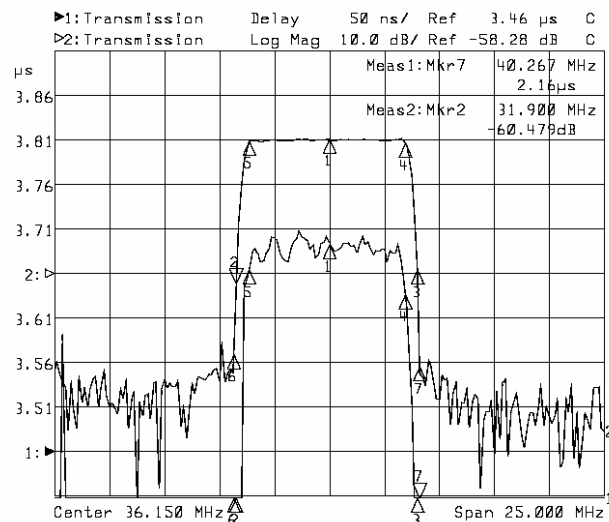
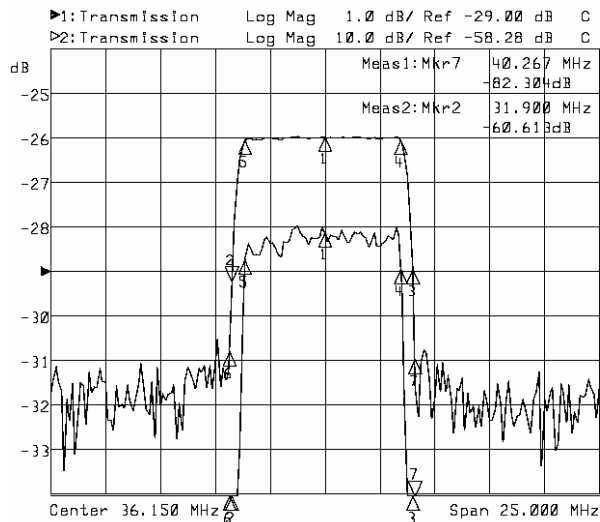


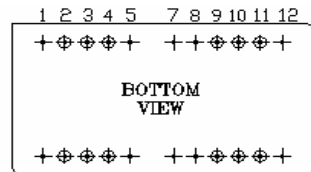
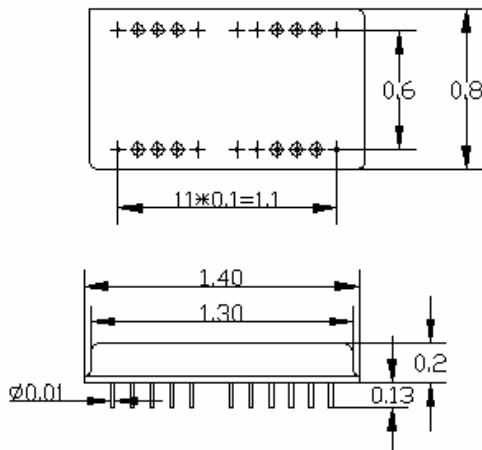
1. Specifications

Parameter	Unit	Minimum	Typical	Maximum
Center Frequency	MHz	36.05	36.15	36.25
Insertion Loss at F ₀	dB		28.00	29.00
@39.60MHz	dB	0.95	1.00	
@32.50MHz	dB	0.95	1.00	
@31.90MHz	dB		30.00	31.00
@40.15MHz	dB		30.00	31.00
Passband Variation	dB		0.70	0.90
Group Delay Variation	nsec		80	100
Absolute Delay	usec		3.70	3.72
Ultimate Rejection	dB	45	48	
Substrate Material	-		128LiNbO3	
Ambient Temperature	°C	-40	25	80

2. Typical Performance



3. Package



2423222120 181716151413

2 INPUT-GROUND
 3 INPUT
 14 OUTPUT-GROUND
 15 OUTPUT
 4,9,10,11,16,21,22,23 NOT CONNECTED
 1,5,7,8,12,13,17,18,20,24 CHIP
 CARRIER-GROUND

NO Matching Required
 Source/load Impedance=50ohm
 Package Style XR

4. Marking

WB0536