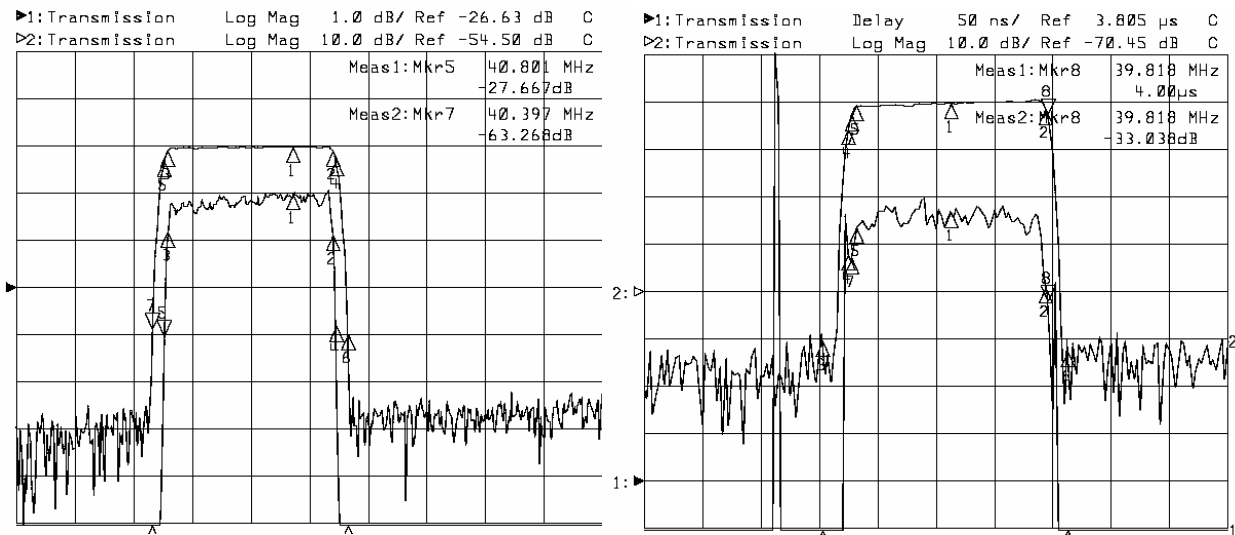


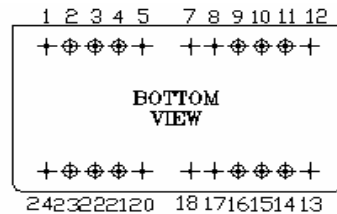
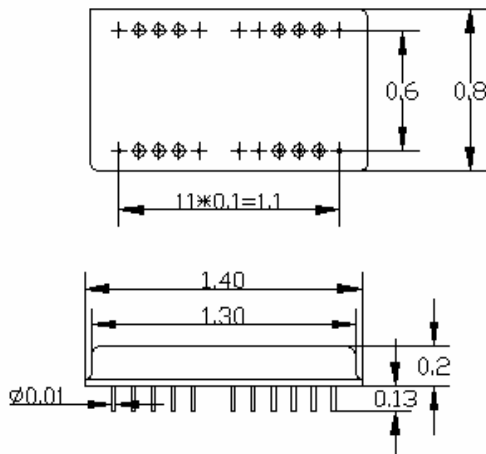
1. Specifications

Parameter	Unit	Minimum	Typical	Maximum
Center Frequency	MHz	36.50	36.52	36.54
Insertion Loss at F ₀	dB		29.00	32.00
@39.77MHz	dB	0.60	1.00	
@33.278MHz	dB	2.00	3.00	
@40.52MHz	dB	50.00	55.00	
@32.2MHz	dB	45.00	50.00	
Passband Variation	dB		0.40	0.60
Group Delay Variation	nsec		40	60
Absolute Delay	usec		4.09	4.12
Ultimate Rejection	dB	50	55	
Substrate Material	-		YZ-LiNbO3	
Ambient Temperature	°C	-40	60	80

2. Typical Performance



3. Package



- 2 INPUT-GROUND
- 3 INPUT
- 14 OUTPUT-GROUND
- 15 OUTPUT
- 4,9,10,11,16,21,22,23 NOT CONNECTED
- 1,5,7,8,12,13,17,18,20,24 CHIP CARRIER-GROUND

NO Matching Required
Source/load Impedance=50ohm
Package Style XR

4. Marking

WB0539