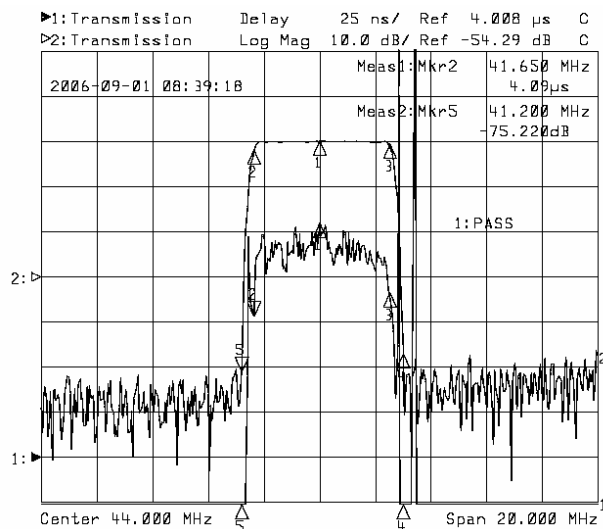
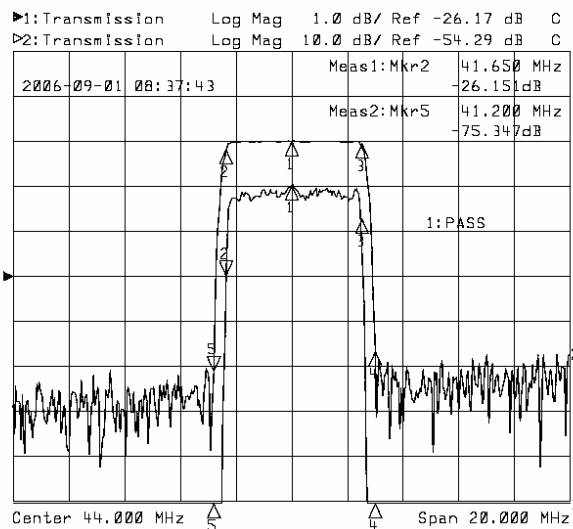


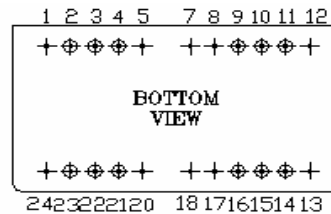
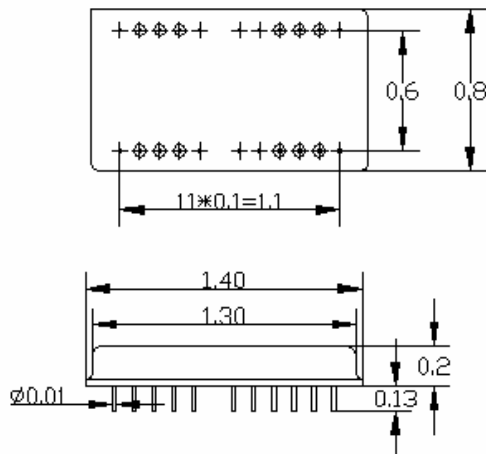
1. Specifications

Parameter	Unit	Minimum	Typical	Maximum
Center Frequency	MHz	44.025	44.075	44.125
Insertion Loss at F ₀	dB		23.00	24.20
@46.50MHz	dB		-0.80	-1.50
@41.65MHz	dB		-1.80	-2.10
@47.00MHz	dB	-45.0	-47.0	
@41.20MHz	dB	-45.0	-50.0	
Passband Variation	dB		0.3	0.5
Group Delay Variation	nsec		25	50
Absolute Delay	usec		4.14	
Ultimate Rejection	dB	48	50	
Substrate Material	-		YZ-LiNbO ₃	
Ambient Temperature	°C	-40	25	+85

2. Typical Performance



3. Package



2 INPUT-GROUND
 3 INPUT
 14 OUTPUT-GROUND
 15 OUTPUT
 4,9,10,11,16,21,22,23 NOT CONNECTED
 1,5,7,8,12,13,17,18,20,24 CHIP
 CARRIER-GROUND

NO Matching Required
 Source/load Impedance=50ohm
 Package Style XR

4. Marking

WB0545