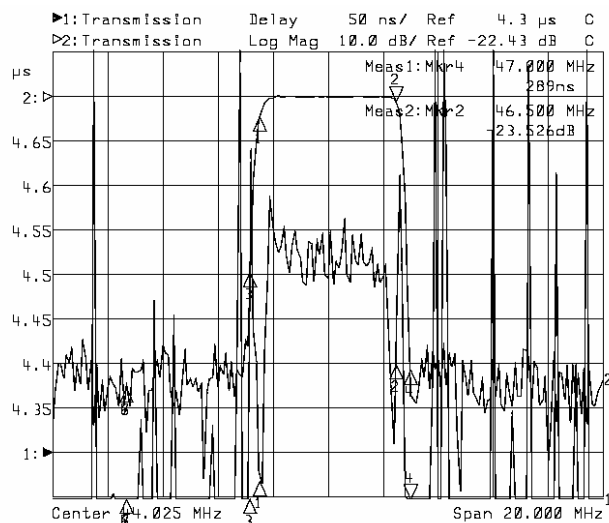
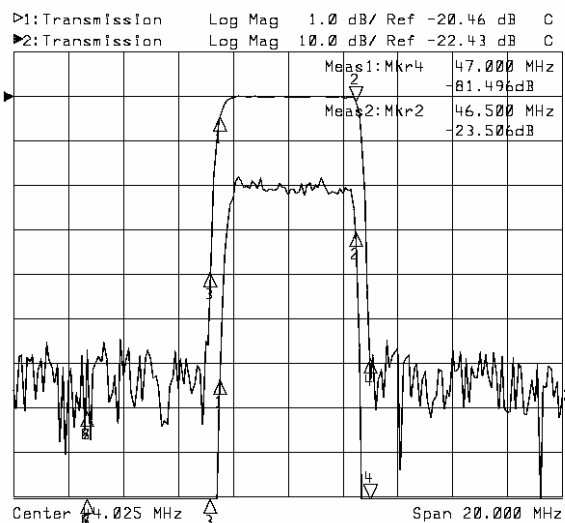


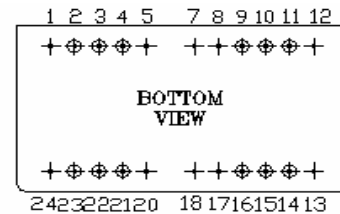
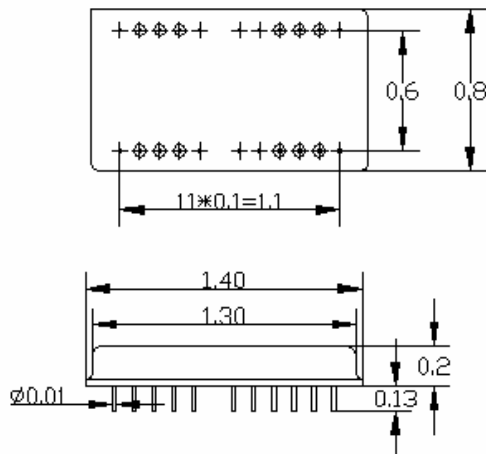
1. Specifications

Parameter	Unit	Minimum	Typical	Maximum
Center Frequency	MHz	44.000	44.025	44.050
Insertion Loss at F ₀	dB		23.00	24.00
@46.50MHz	dB	1.45	1.50	
@41.55MHz	dB	4.45	4.50	
@47.00MHz	dB		55.00	55.75
@41.20MHz	dB		40.00	40.75
Passband Variation	dB		0.30	0.50
Group Delay Variation	nsec		60	90
Absolute Delay	usec		4.55	4.60
Ultimate Rejection	dB	53	58	
Substrate Material	-		YZ-LiNbO3	
Ambient Temperature	°C	-40	25	80

2. Typical Performance



3. Package



2 INPUT-GROUND
 3 INPUT
 14 OUTPUT-GROUND
 15 OUTPUT
 4,9,10,11,16,21,22,23 NOT CONNECTED
 1,5,7,8,12,13,17,18,20,24 CHIP CARRIER-GROUND

NO Matching Required
 Source/load Impedance=50ohm
 Package Style XR

4. Marking

WM0545