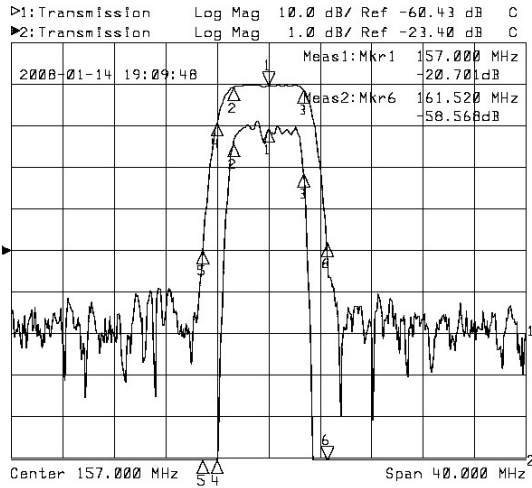


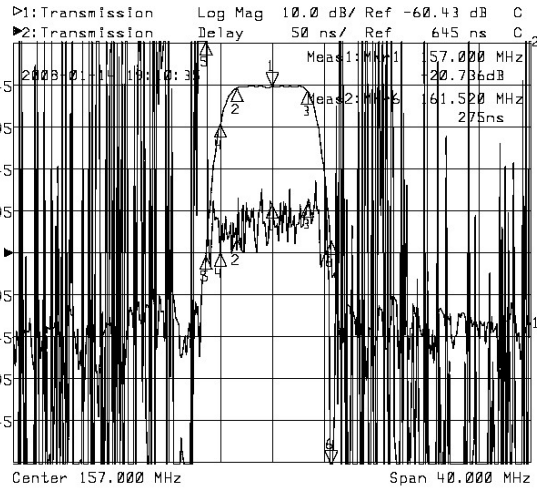
# CATV VSB Filter For TV Modulator (PAL B/G)

## Part Number S8

### Typical Performance



Horizontal: 4MHz/Div  
Vertical: 1dB/Div&10dB/Div



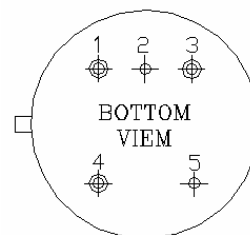
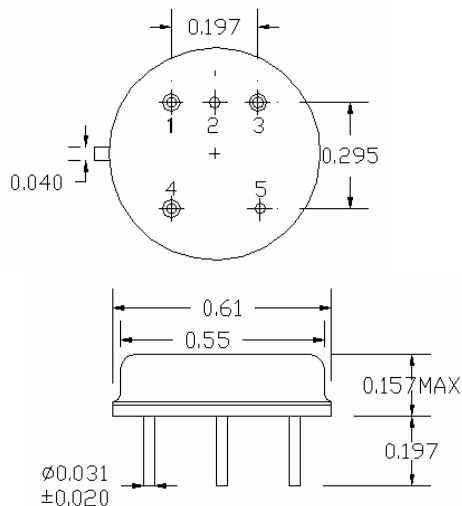
Horizontal: 4MHz/Div  
Vertical: 50nsec/Div&10dB/Div

### Specifications

Parameter	Unit	Minimum	Typical	Maximum
Center Frequency	MHz	156.50	157.00	157.50
Insertion Loss	dB		20.00	21.00
154.25MHz	dB		-0.50	-1.00
159.75MHz	dB		-0.80	-1.50
152.75MHz	dB	-12.00	-16.00	
161.25MHz	dB	-15.00	-18.00	
Passband Variation	dB		0.50	1.00
Group Delay Variation	nsec		70	100
Absolute Delay	usec		0.70	
Ultimate Rejection	dB	48	50	
Substrate Material	-		LiTaO3	
Ambient Temperature	°C		25	

### Package

SFA02



SFA02  
IN: 4  
OUT: 3  
GND: 1,2,5