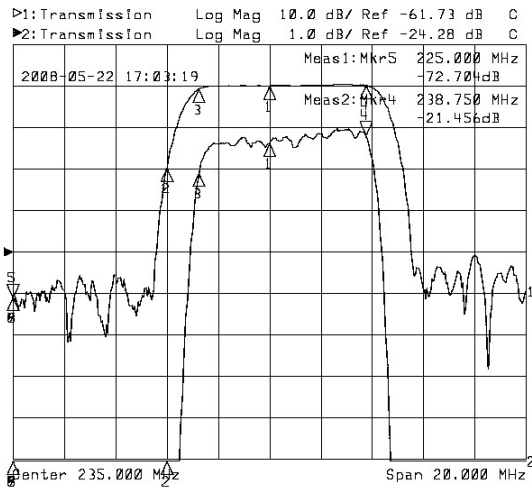


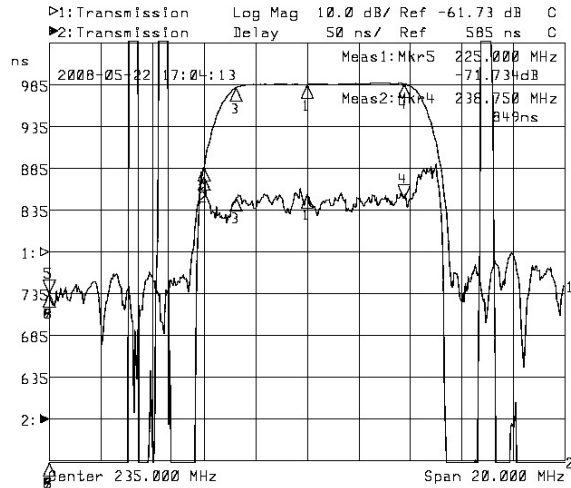
# CATV VSB Filter for TV Modulator (PAL)

## Part Number ZCH9

### Typical Performance



Horizontal: 2.0MHz/Div  
Vertical: 10dB/Div



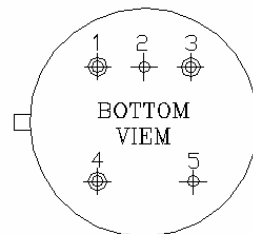
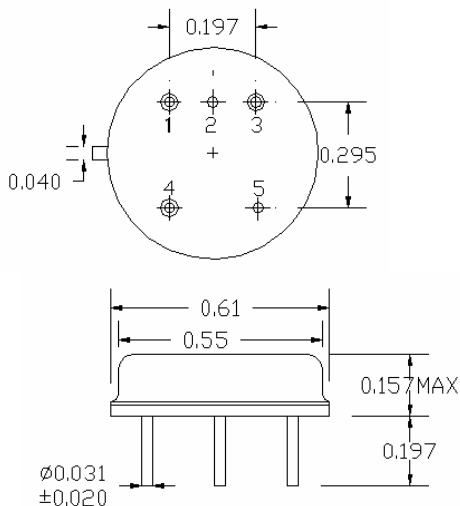
Horizontal: 2.0MHz/Div  
Vertical: 50nsec/Div

### Specifications

Parameter	Unit	Minimum	Typical	Maximum
Center Frequency	MHz	234.50	235.00	235.50
Insertion Loss	dB		22.00	24.00
232.25MHz	dB		-1.00	-1.10
238.75MHz	dB		-0.80	-1.00
231.00MHz	dB	-12.00	-15.00	
Passband Variation	dB		1.00	1.10
Group Delay Variation	nsec		40	60
Absolute Delay	usec		0.85	
Ultimate Rejection	dB	38	40	
Substrate Material	-		128-LiNbO3	
Ambient Temperature	°C	-40	25	80

**Package**

**SFA02**



SFA02  
IN: 4  
OUT: 3  
GND: 1,2,5