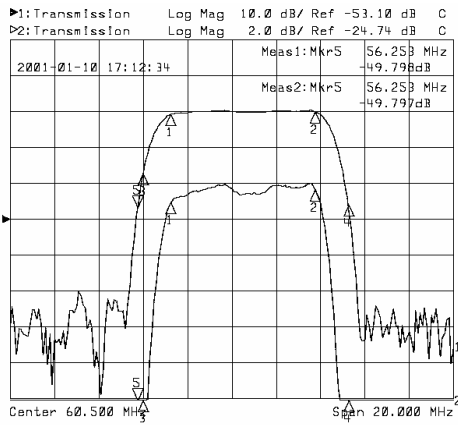
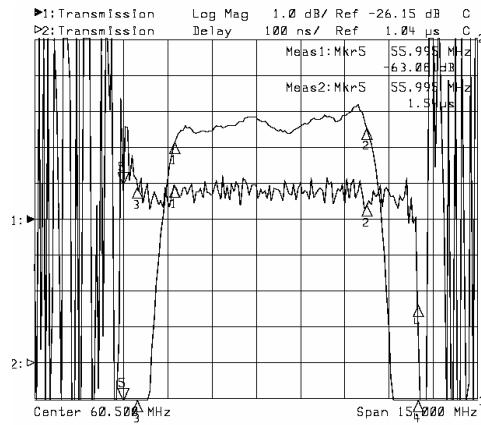


CATV VSB Filter For TV Modulator(PAL)
Part Number CH2B

Typical Performance



Horizontal: 2MHz/Div
 Vertical: 10dB/Div

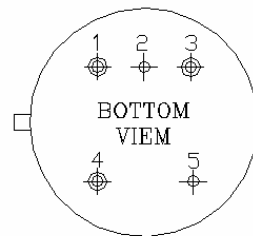
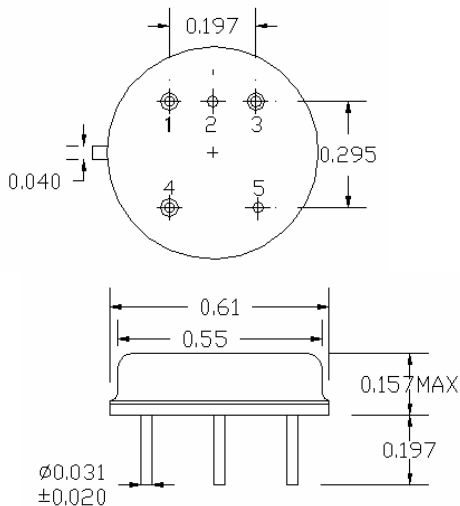


Horizontal: 1.5MHz/Div
 Vertical: 100nsec/Div

Specifications

Parameter	Unit	Minimum	Typical	Maximum
Center Frequency	MHz	60.00	60.50	61.00
Insertion Loss	dB		24.00	25.00
57.75MHz	dB		-0.50	-1.00
64.25MHz	dB		-0.50	-1.00
56.25MHz	dB	-23.00	-25.00	
Passband Variation	dB		0.50	1.00
Group Delay Variation	nsec		60	80
Absolute Delay	usec		1.50	1.52
Ultimate Rejection	dB	45	50	
Substrate Material	-		128-LiNbO3	
Ambient Temperature	°C	-40	25	80

Package SFA02



SFA02
 IN: 4
 OUT: 3
 GND: 1,2,5