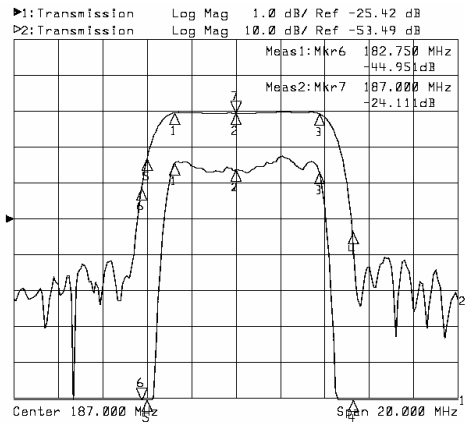
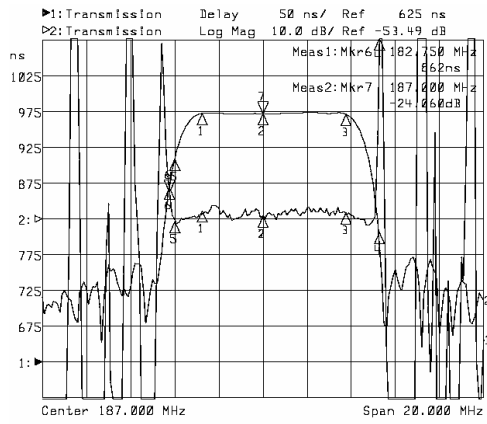


CATV VSB Filter For TV Modulator(PAL)
Part Number CH8B

Typical Performance



Horizontal: 2.0MHz/Div
 Vertical: 10dB/Div

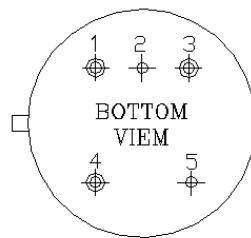
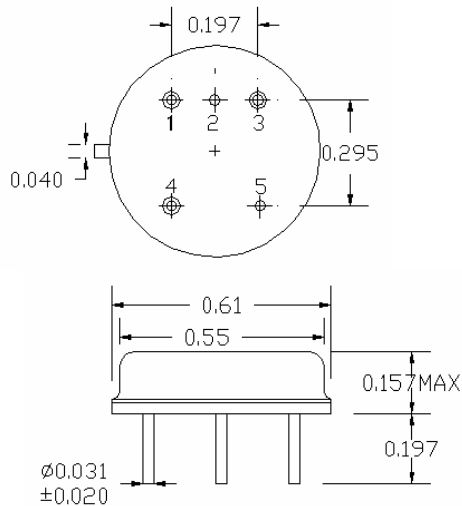


Horizontal: 2.0MHz/Div
 Vertical: 50nsec/Div

Specifications

Parameter	Unit	Minimum	Typical	Maximum
Center Frequency	MHz	186.90	187.00	187.10
Insertion Loss	dB		24.05	25.00
184.25MHz	dB		-0.52	-1.00
190.75MHz	dB		-0.84	-1.00
183.00MHz	dB	-12.03	-15.00	-15.00
Passband Variation	dB		0.80	1.00
Group Delay Variation	nsec		40	60
Absolute Delay	usec		0.50	0.80
Ultimate Rejection	dB	38	40	
Substrate Material	-		128-LiNbO3	
Ambient Temperature	°C	-40	25	80

Package SFA02



SFA02
 IN: 4
 OUT: 3
 GND: 1,2,5